

C-HRV 270

Designed for compact ventilation systems

Description

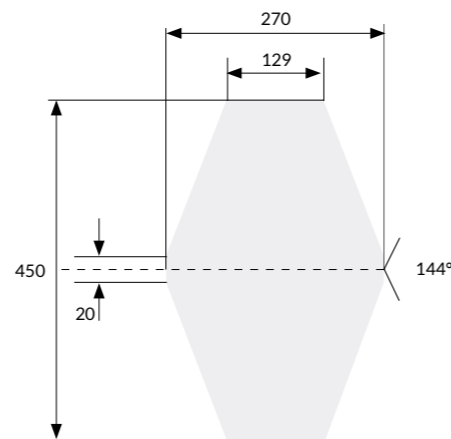
The C-HRV 270 with its robust and durable metal housing is characterized by its optimized dimensions for compact ventilation systems. Despite its slim design, the high-performing heat exchanger offers a low pressure loss while maximizing efficiency. Thanks to its material-saving design, the C-HRV 270 is sustainable and resource-efficient. It fulfils the requirements of ISO9001, fire protection (with grid) and hygiene specifications.



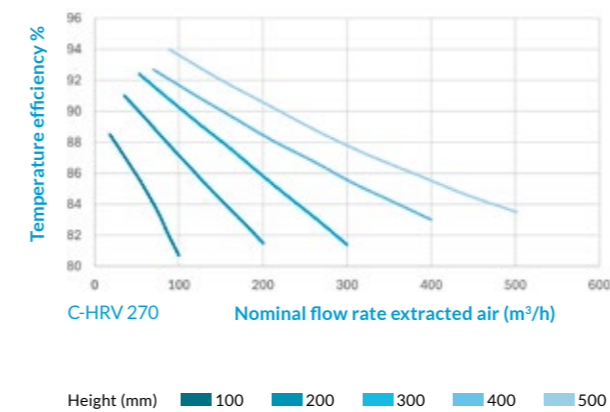
Product benefits

- Cleanable, hygienic, mold and bacteria resistant
- Options: Rib, fire protection grid
- Available heights: 100 - 500 mm (in 5 mm steps)
- Leakage: < 1% of nominal flow rate, 100% leakage tested
- Material resistance: -20 °C - +50 °C

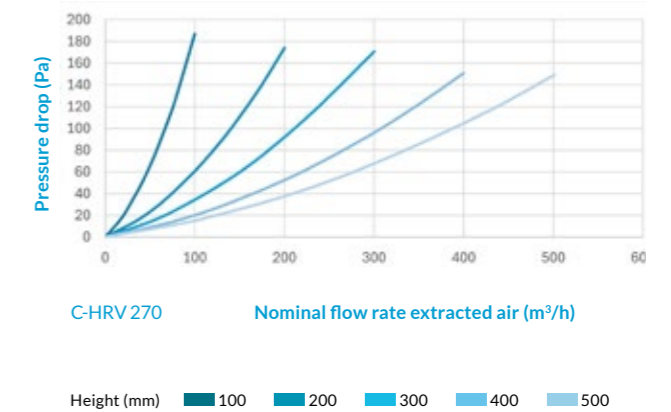
Product dimensions (mm)



Temperature efficiency



Pressure drop



Based on test conditions following NEN-EN 308:2022 (intake air: temp. 5 °C, humidity 70 %; extracted air: 25 °C, humidity 25 %) Calculate your specific conditions with our CORE Online Calculator.

Standards

- Hygiene Standard
 - VDI6022 sheet 1 (01/2018)
 - ÖNORM H6021 (01/2023)
 - SWKI VA104-01 (01/2019)
- Fire Standard
 - EN DIN13501-1 (Class E)
 - ISO 11925 (Class E)
- Quality Management
 - DIN ISO 9001: 2015

Weights (kg)

Typ	kg
HRV 270-H100-S	2,40
HRV 270-H200-S	4,27
HRV 270-H300-S	6,13
HRV 270-H400-S	8,04
HRV 270-H500-S	9,91