

## CORE F-ERV 529

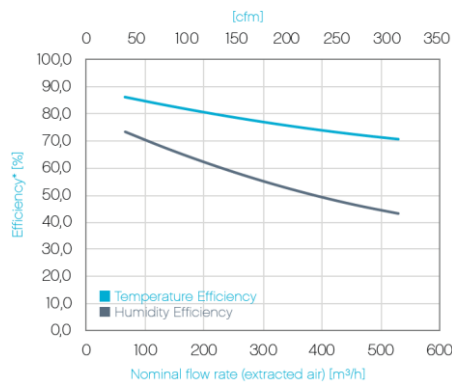
### DESCRIPTION

High performing Counterflow Enthalpy Exchanger with maximum efficiency due to our unique and patented channel design. Its innovative and unique membrane allows the transfer of humidity. Therefore, humidity levels can be controlled and the living comfort improved. The F-ERV529 is significantly more lightweight than other Exchangers this size and characterised by the highest quality, a long life and low maintenance. It can be custom made to fit your specific needs.

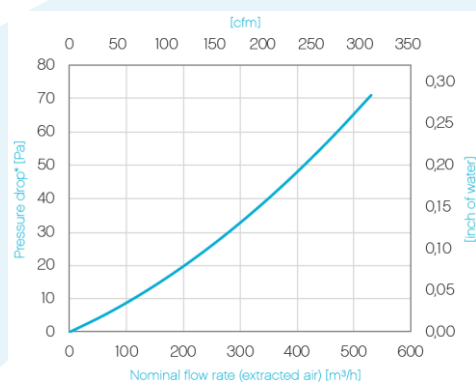
### PRODUCT BENEFITS

- Manufactured with a hygienic, mold and bacteria resistant, water washable polymer membrane
- Available heights: 50 – 500 mm
- Leakage: < 1 % of nominal flow rate, 100 % leakage tested
- Material resistance: -20 °C – +50 °C
- Weight: approx.. 6 kg (at a height of 500 mm)

### EFFICIENCY

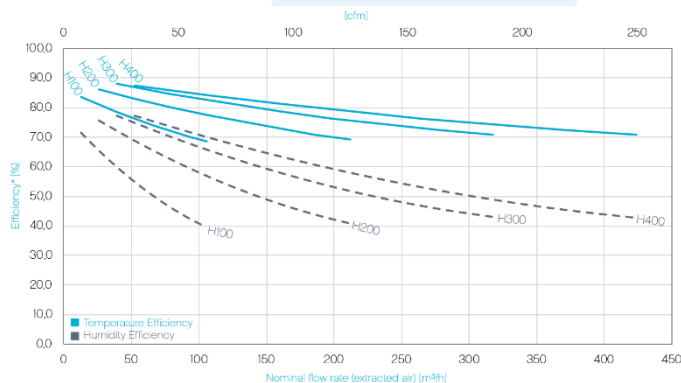


### PRESSURE DROP



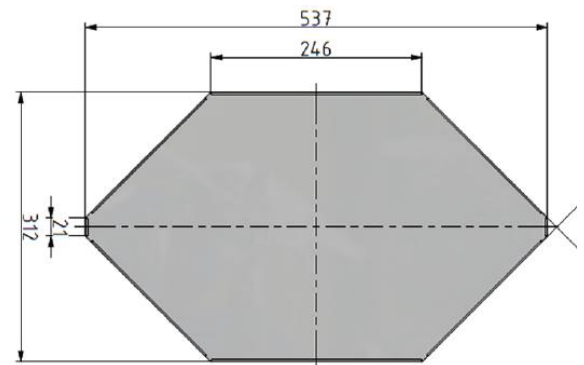
\*Based on a CORE height of 500 mm, test conditions following DIN EN 308:1997-06 (intake air: temp. 5 °C, humidity 70 %; extracted air: 25 °C, humidity 50 %)

### TEMPERATURE AND HUMIDITY EFFICIENCY (HEIGHTS 100 – 400 mm)



\*Test conditions following DIN EN 308:1997-06 (intake air: temp. 5 °C, humidity 70 %; extracted air: temp. 25 °C, humidity 50 %).

### DIMENSIONS [mm]



Visit us at [www.core.life](http://www.core.life) to learn more about us and our products. We look forward to hearing from you!